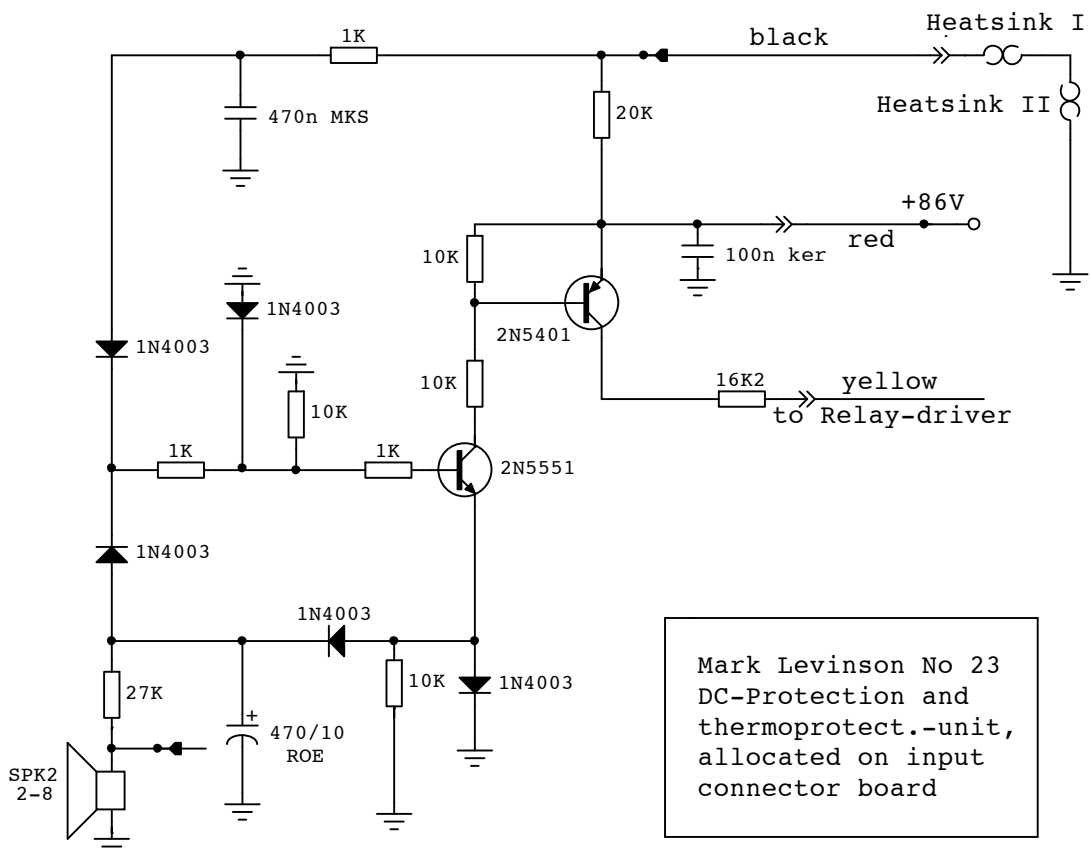
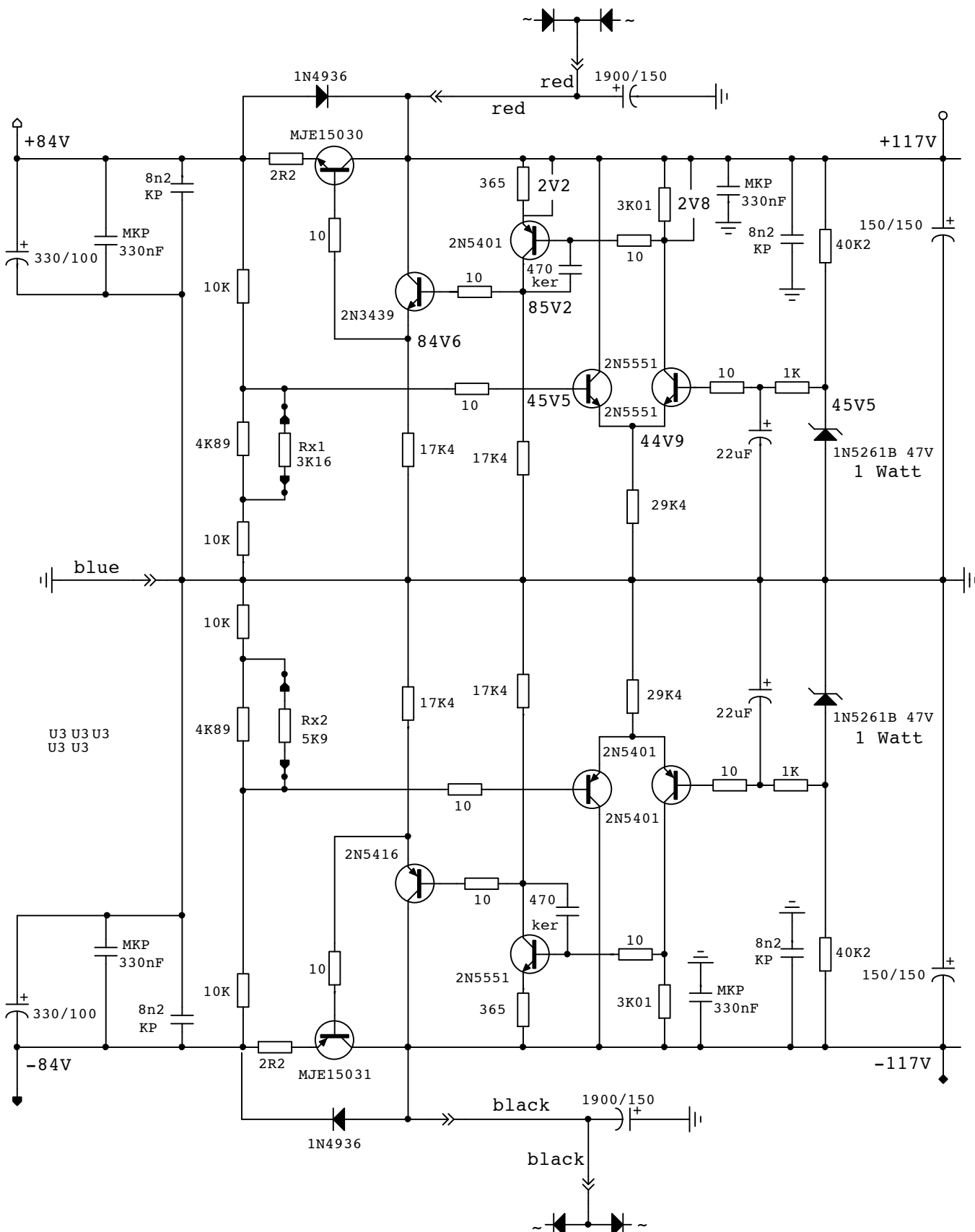


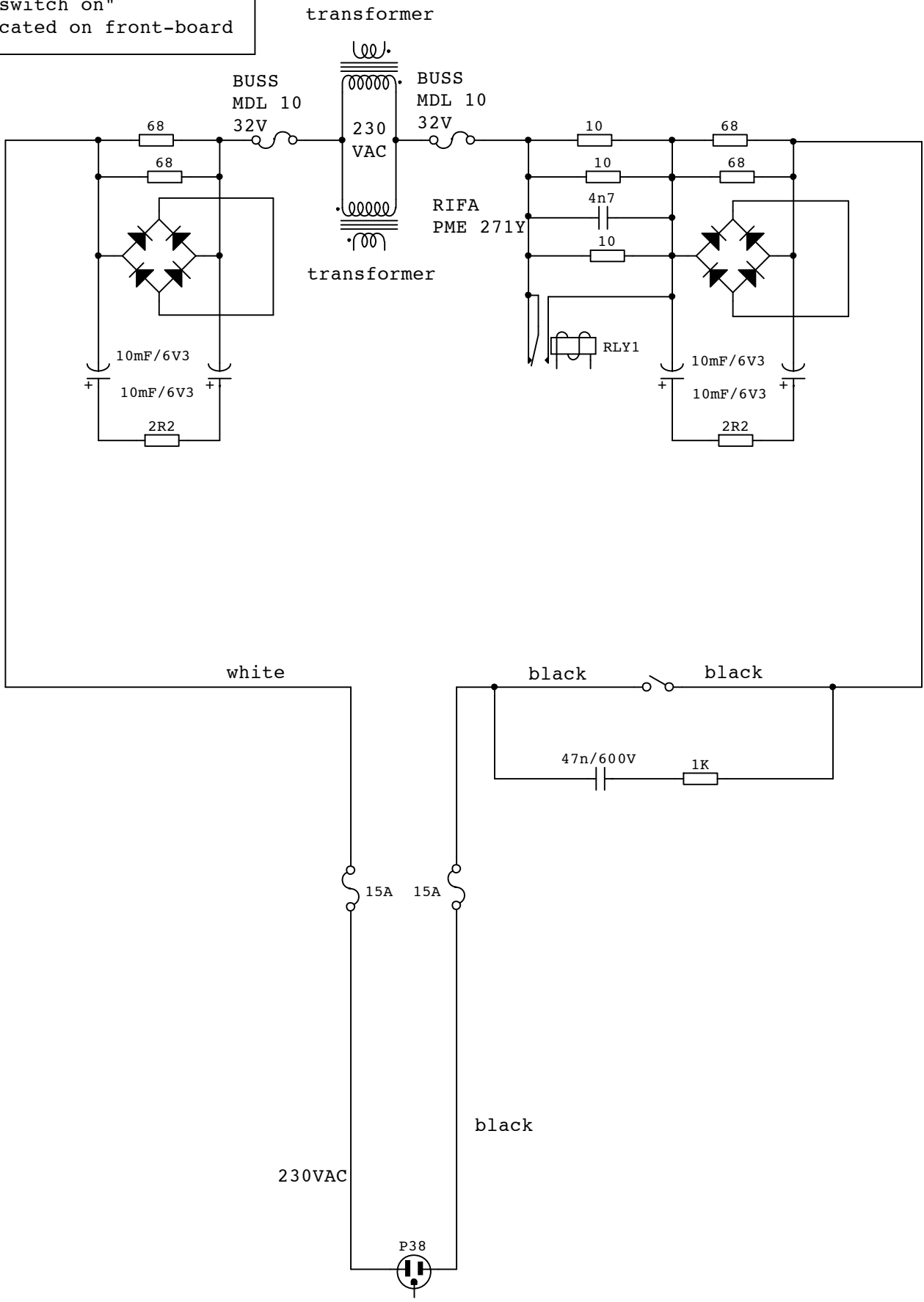
U1 U1 U1 U1 U1 U1 U1 U1 U1 U1 U1 U5





Mark Levinson No 23  
voltage regulator-unit  
for voltageamp

Mark Levinson No 23  
peak current reducer  
by "switch on"  
allocated on front-board

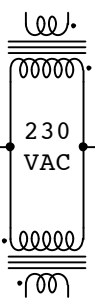


transformer

transformer

BUSS MDL 10 32V

BUSS MDL 10 32V



RIFA PME 271Y

68

68

10

4n7

10

68

68

10mF/6V3

10mF/6V3

2R2

10mF/6V3

10mF/6V3

2R2

RLY1

47n/600V

1K

white

black

black

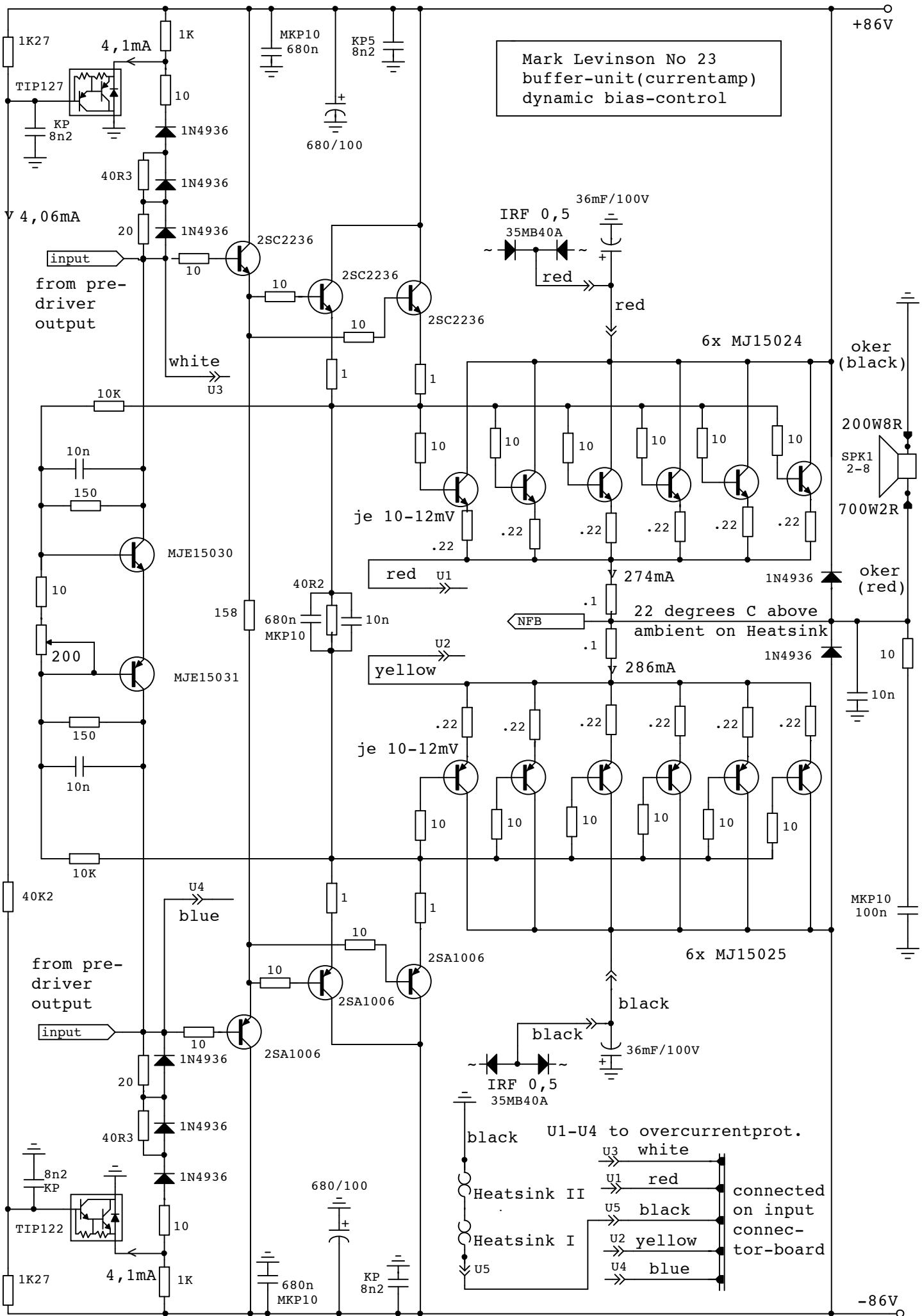
15A

15A

230VAC

black

P38



Mark Levinson No 23  
buffer-unit (currentamp)  
dynamic bias-control

+86V

oker (black)

200W8R

SPK1 2-8

700W2R

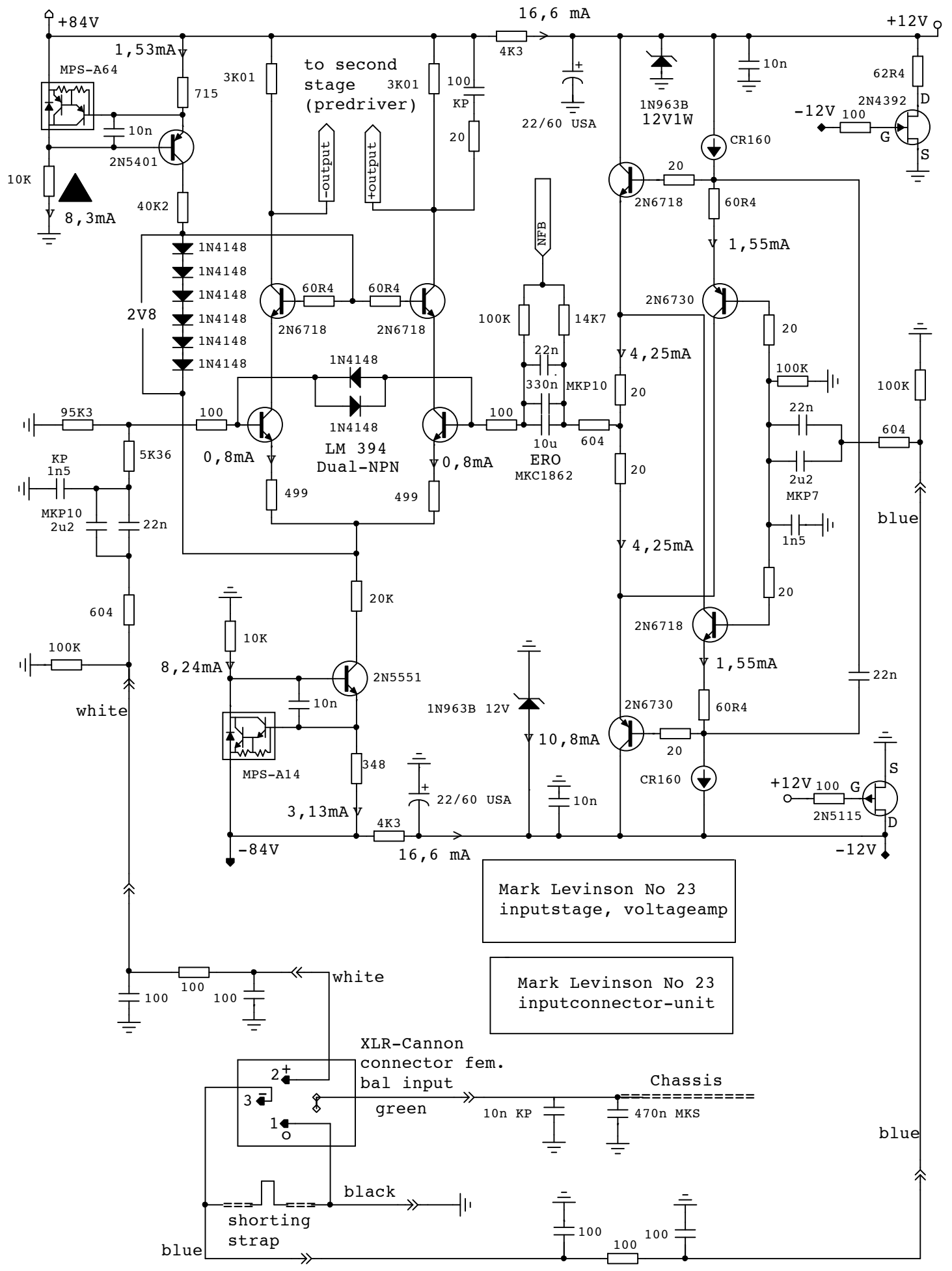
oker (red)

10n

MKP10 100n

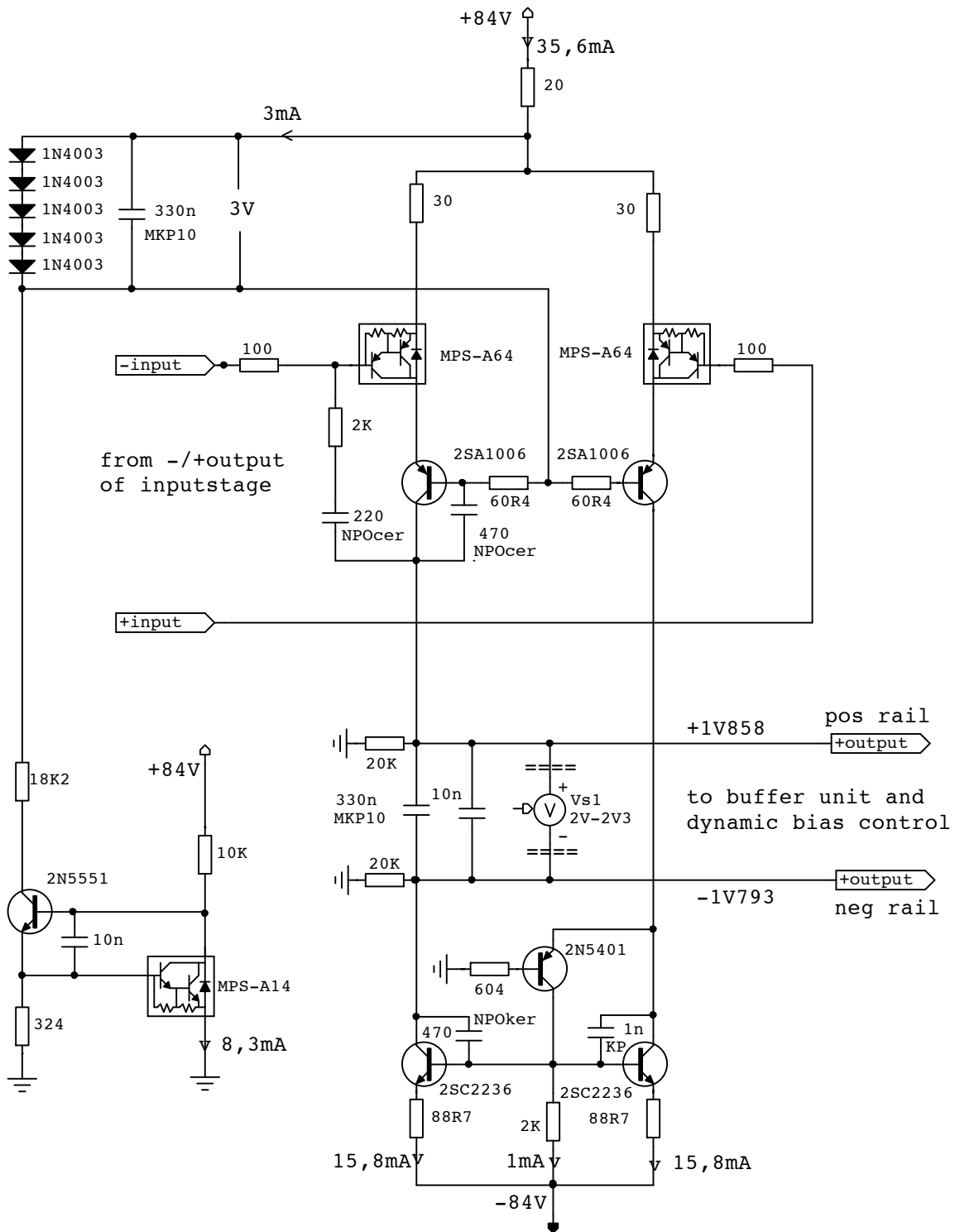
-86V

U1-U4 to overcurrentprot.  
U3 white  
U1 red  
U5 black  
U2 yellow  
U4 blue  
connected on input connector-board

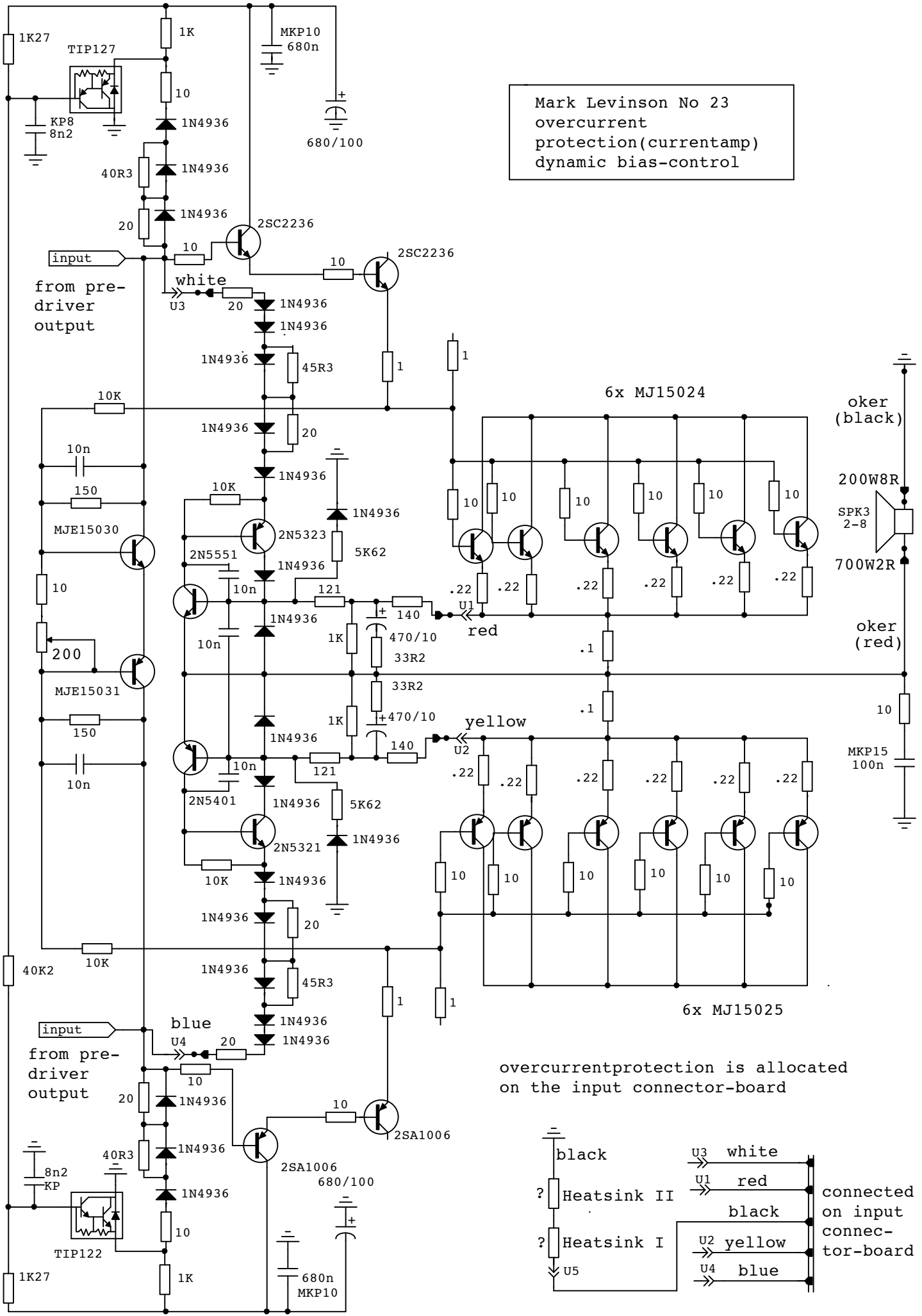


Mark Levinson No 23  
inputstage, voltageamp

Mark Levinson No 23  
inputconnector-unit



Mark Levinson No 23  
 second stage(pre-driver),  
 voltageamp



Mark Levinson No 23  
overcurrent  
protection(currentamp)  
dynamic bias-control

overcurrent protection is allocated  
on the input connector-board

